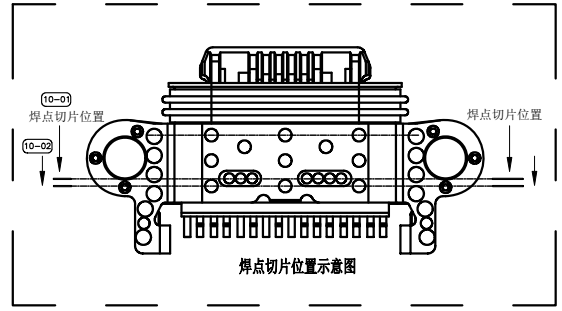
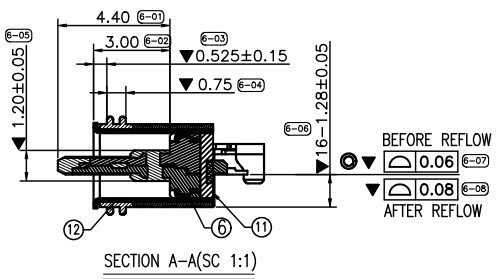
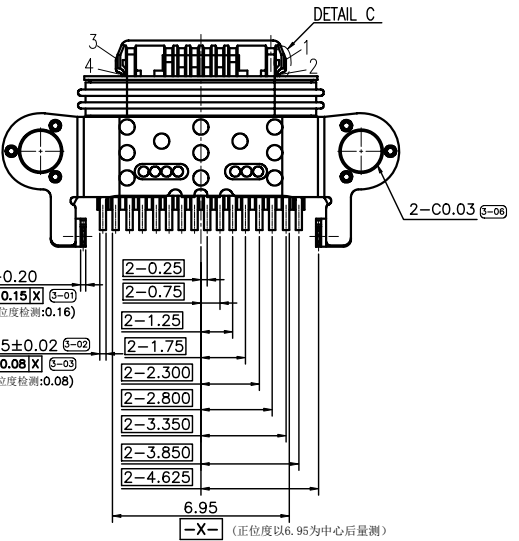
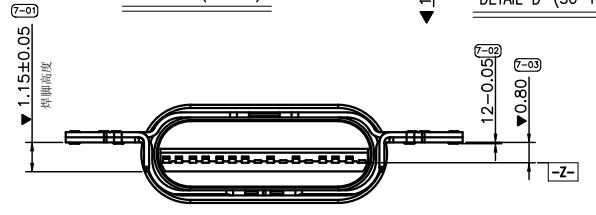
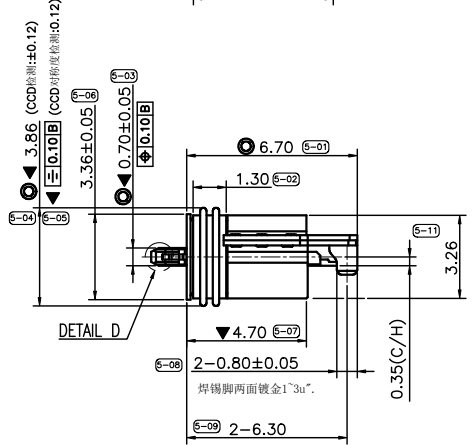
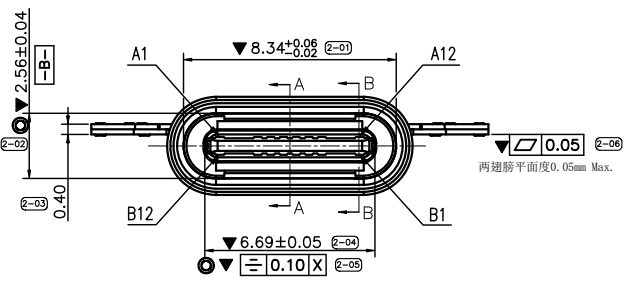
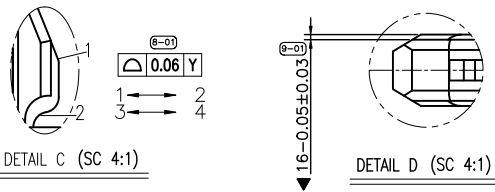
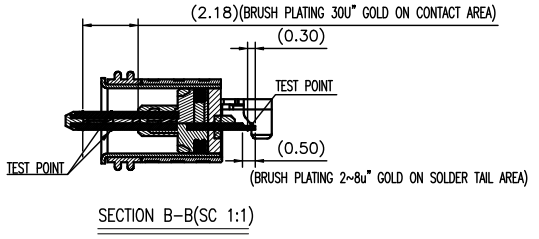
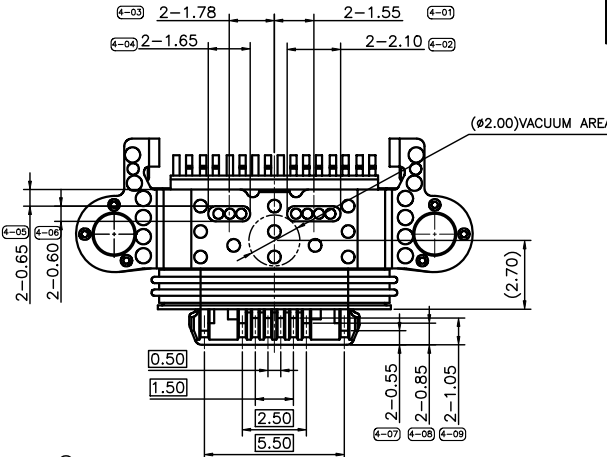
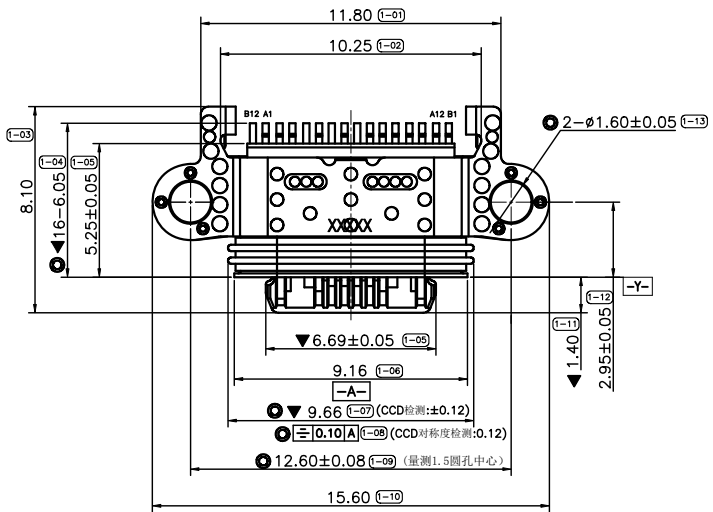


A3

REV	ECN NO	DESCRIPTION	DATE	APPD
X1	ECN19080**	初版发行.		
X2	ECN19080**	调整铁壳焊脚宽度和铁壳 T/H 焊脚焊盘大小.		
X3	ECN19080**	外壳两耳朵位置上移0.08mm & 添加客户料号&更新载带图.		
X4	ECN19080**	update 1.28公差, 由1.28 ^{+0.05} 变更为1.28±0.05		



品质管控等级及要求			EXTEND USE		TITLE		DWG NO	
符号	等级	产品管控要求	16PIN TYPE-C REC CONN		UNIT	mm	3.119A0 CONN.	
▼	重点要求	巡检, 定义检验频率	GENERAL TOLERANCE (C)		MATERIAL	APPD	Customer Drawing	
▽	特殊特性要求	Cpk>1.33	DIMENSION	ANGLES	QTY	CHD	P/N: 3.119A0-016-7R0	
◎	全检要求	自动机全检	. ±0.30	. ±3'	FINISHED	DRN	SHEET 1/3	
			.0 ±0.20	.0 ±2'		刘传芳	SCALE 1:1	REV X4
			.00 ±0.10	.00 ±1'		2019.08.27		
			.000 ±0.05					

A3

REV	ECN NO	DESCRIPTION	DATE	APPD

NOTES 1:

1.ELECTRICAL CHARACTERISTICS:

- 1.1 CURRENT RATING: VBUS AND GND CONTACTS RATED AT 2.5A MAX., PARALLELED FOR A TOTAL OF 7.5A MAX.
- 1.2 TEMPERATURE RANGE: -40 °C ~ 85 °C
- 1.3 CONTACT RESISTANCE: 30 MILLIONHM MAX.
- 1.4 DIELECTRIC WITHSTANDING VOLTAGE: 500 VAC r.m.s
- 1.5 INSULATION RESISTNACE: 100 MEGOHMS MIN.

2.MECHANICAL CHARACTERISTICS

- 11-01 2.1 INSERTION FORCE: 5~20N
- 11-02 2.2 EXTRACTION FORCE: INITIAL:8~20N; DURABILITY:8~20N(1000CYCLES),6~20N(10000CYCLES);
- 2.3 DURABILITY:10,000CYCLES.
- 11-03 2.4 中间铁片与外壳焊接后顶出强度50kgf Min.
- 11-04 2.5 上下壳焊接后剥离强度70kgf Min.

3.ENVIROMENTAL SUBSTANCE CONTROL SHOULD COMPLY WITH FAF JH-GP-213'S SPECIFICATION;

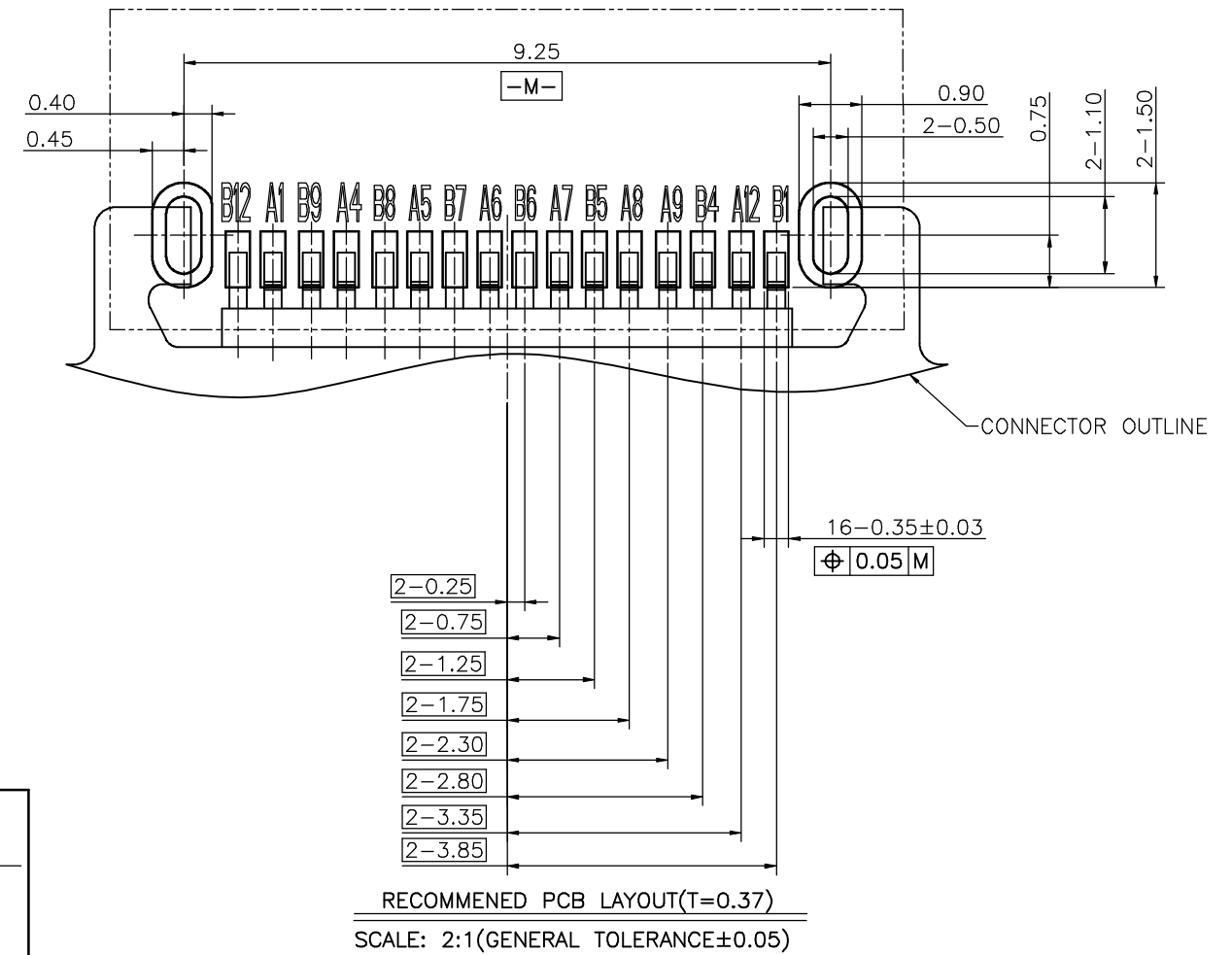
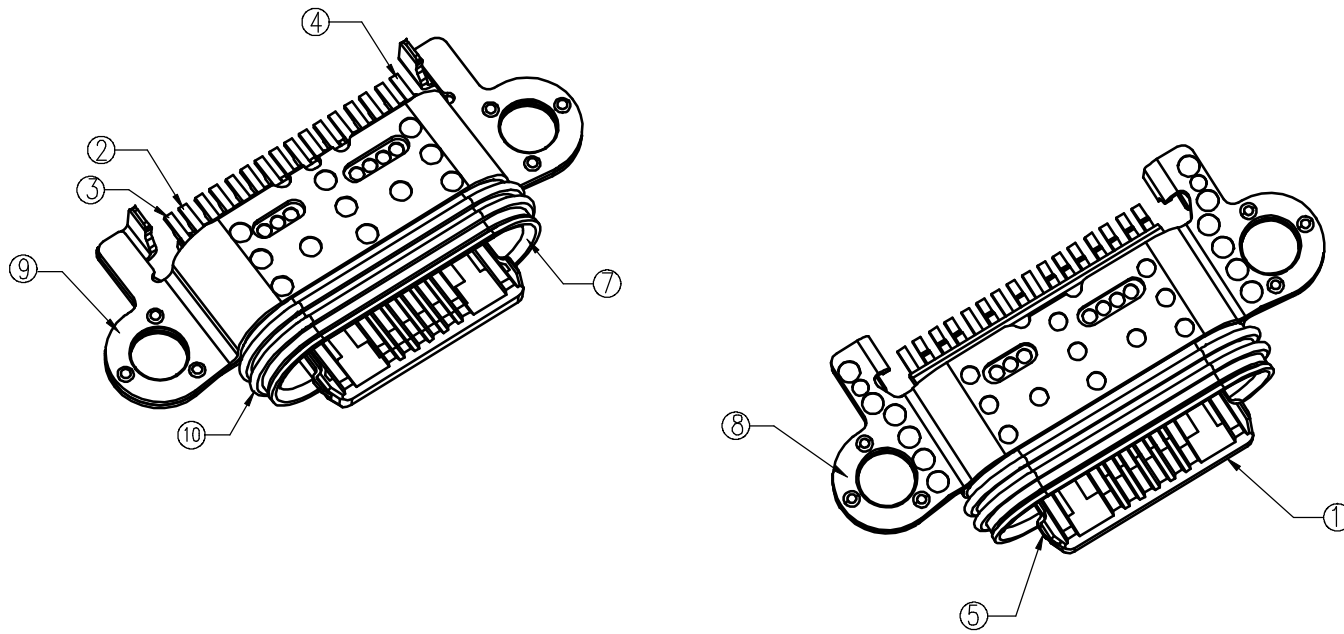
- 4. HOUSING FLASH: 0.10 MM MAX,METAL BURR:0.05 MM MAX.
- 5. P/N DEFINITION:

9770377	WITH O-RING	3.119A0-016-7R0
---------	-------------	-----------------

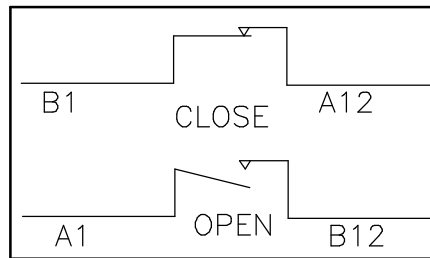
PIN ASSIGNMENTS

No.	NAME	DESCRIPTION
A1	GND	GROUND RETURN
A4	VBUS	BUS POWER
A5	CC1	CONFIGURATION CHANNEL
A6	DP1	POSITIVE HALF OF USB2.0 DIFFERENTIAL PAIR-POSITION1
A7	DN1	POSITIVE HALF OF USB2.0 DIFFERENTIAL PAIR-POSITION1
A8	SBU1	SIDEBAND USE(SBU)
A9	VBUS	BUS POWER
A12	GND	GROUND RETURN
MID PLATE	GND	GROUND RETURN,CONTACT A1

No.	NAME	DESCRIPTION
B12	SBU	SIGNAL PIN, NOT CONTACT GND
B9	VBUS	BUS POWER
B8	SBU2	SIDEBAND USE(SBU)
B7	DN2	NEGATIVE HALF OF USB2.0 DIFFERENTIAL PAIR-POSITION2
B6	DP2	POSITIVE HALF OF USB2.0 DIFFERENTIAL PAIR-POSITION2
B5	CC2	CONFIGURATION CHANNEL
B4	VBUS	BUS POWER
B1	GND	GROUND RETURN
MID PLATE	GND	GROUND RETURN,CONTACT A12&B1

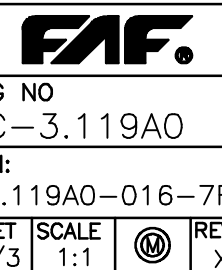


P IN内部说明:



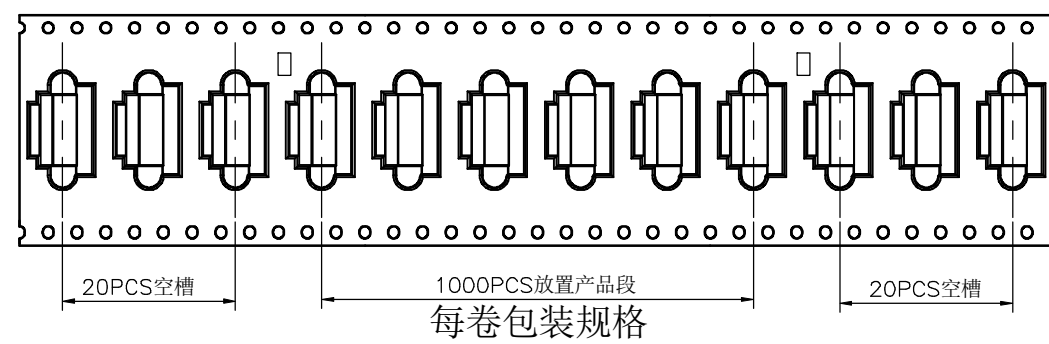
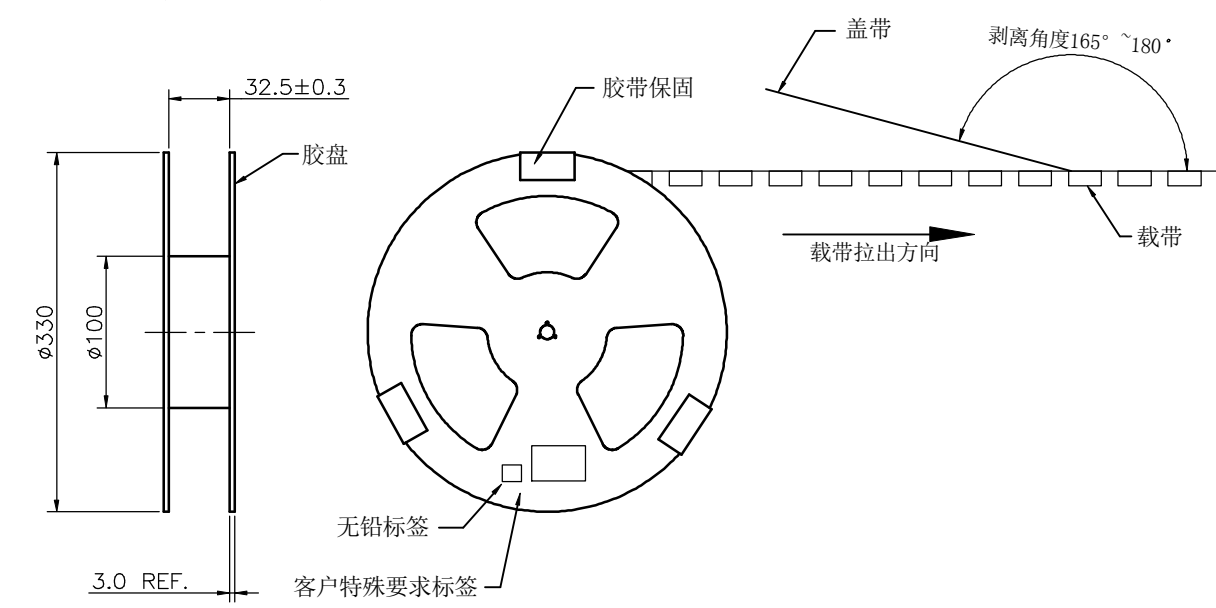
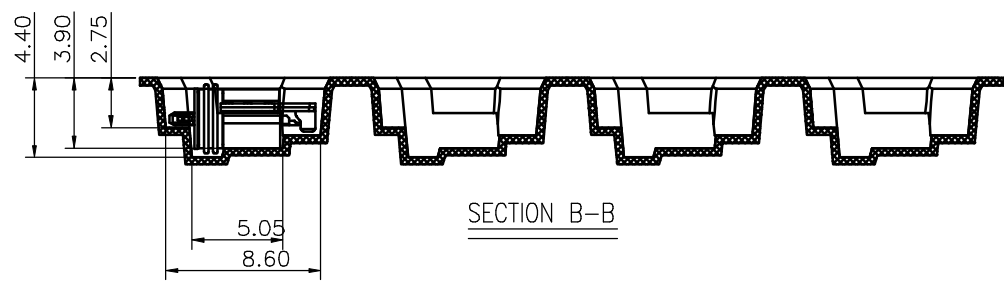
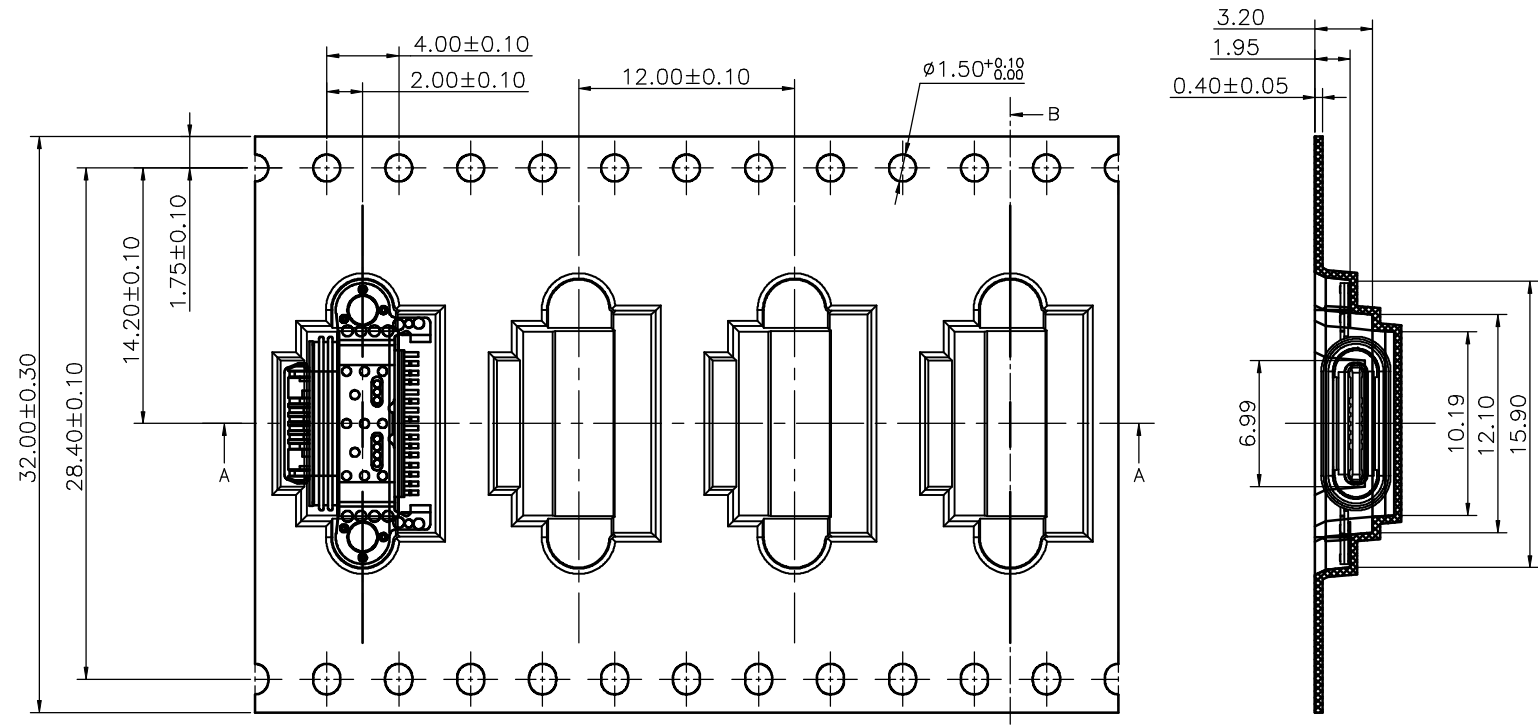
NO.	PARTS NAME	QTY	MATERIAL	FINISH
12	GLUE	1PCS	Besil 9300R	TRANSPARENT
11	GLUE	1PCS	MICROCOAT SI423-78B	BLACK
10	O-RING	1PCS	SILICA GEL(KE-951-U HA52')	RED
9	LOWER_SHELL	1PCS	SUS301-H	50u"Min.NICKEL
8	UPPER_SHELL	1PCS	SUS301-H	SOLDER AREA:1u~3u"Au PLATING
7	INNER_SHELL	1PCS	SUS316L-3/4H	
6	PAD	2PCS	SUS301-1/2H	/
5	MID PLATE	1PCS	SUS301-H	/
4	LOWER CONTACT-2	1SET	C7025-TM04S	Ni 50u"Min
3	LOWER CONTACT-1	1SET	C18400-540	CONTACT AREA:30u"Au BRUSH PLATING
2	UPPER CONTACT	1SET		SOLDER AREA:2~8u"Au BRUSH PLATING
1	HOUSING	1PCS	PA46 HFX33S,UL 94V-0	BLACK
NO.	PARTS NAME	QTY	MATERIAL	FINISH

EXTEND USE		TITLE	
16PIN TYPE-C REC CONN		3.119A0 CONN. Customer Drawing	
GENERAL TOLERANCE (M)		APPD	
DIMENSION		QTY	
ANGLES		FINISHED	
. ±0.30		DRN 葛林忠 2019.08.27	
.0 ±0.20		SHEET 2/3	
.00 ±0.10		SCALE 1:1	
.000 ±0.05		REV X4	



A3

REV	ECN NO	DESCRIPTION	DATE	APPD



- 包装方式:
 - 使用自动包装机, 先将载带送入导轨中, 再用盖带贴合在上面其中初始20个槽不放置产品, 然后将产品如图示依次放入槽中, 每槽放置1PC产品, 每卷共装1000PCS产品, 最后需留20个槽不放置产品;
 - 用胶带将载带粘在一起, 外围再用PE带缠绕一圈保固, 并用3PCS胶带将卷盘的两边粘上保固, 再贴上标签, 标签内容要清晰完整;
 - 将卷盘装入防潮袋, 再放置2PCS干燥剂, 并将防潮袋口叠加平齐, 最后用胶带将防潮袋口封好。
 - 如图示在外箱底部先放入1PC纸板和1PC气泡布, 将5PCS已装好产品的卷盘以标签朝上的方式平放入外箱中, 然后在外箱的四角放入折叠板, 最后在卷盘上放置1PC气泡布和1PC纸板;
 - 外箱用胶带成工字形封箱, 贴上外箱标签, 清晰完整地填写相关内容; 若产品包装不满一整箱时, 需在外箱标签下方加贴1PC尾数箱标签, 整箱则无需贴此标签。
 - 一栈板最多放置5层外箱, 每层放9箱(3X3), 在堆叠好外箱的八个棱角用边条保护, 再缠绕保鲜膜10层。
- 注意事项:
 - 防止漏装, 防止异物装入, 禁止碰歪产品锡脚;
 - 盖带与载带剥离力: 20~130gf, 剥离角度165°~180°, 剥离速度300mm/min;
 - 来料、生产及包装运输过程必须满足FAF JH-GP-213《环境管理物质限用作业程序》要求
- BOM(一箱用量)

名称	FAMFULL P/N	SPEC.	Q'TY
产品	3.119A0-016-7R0	USB TYPE C 16 PIN (WITH O-RING)	5000PCS
载带	3.119U0-000-0RE	材质PS, 0.40mm厚度	5200PCS
盖带	U.001VZ-005-00A	透明料, W=25.5mm(自粘)	68M
卷盘	U.014RB-004-002	直径330mm, 内径100mm, 宽度32mm	5PCS
外箱	U.003CZ-007-001	L345*W345*H215	1PCS
防潮袋	U.000BZ-007-004	600*800	1PCS
纸板	U017CZ-010-001	345mm*345mm*3mm	2PCS
气泡布	U000SZ-009-004	345*345mm, T=13mm	2PCS
折叠板	U012CZ-002-001	155*102*102*130	4PCS
卷盘标签	U.001LW-000-001		5PCS
外箱标签	U.001LW-001-001		1PCS
干燥剂			2PCS

EXTEND USE	UNIT mm	TITLE	F.A.F.			
16PIN TYPE-C REC CONN	mm	3.119A0 CONN. Customer Drawing	DWG NO C-3.119A0			
GENERAL TOLERANCE	MATERIAL	APPD	P/N: 3.119A0-016-7R0			
DIMENSION	ANGLES	QTY	CHD	SHEET		
. ±0.30	. ±3'	FINISHED	DRN	SCALE	REV	
.0 ±0.20	.0 ±2'		葛林忠	1:1	X4	
.00 ±0.10	.00 ±1'		2019.08.27	3/3		
.000 ±0.05						