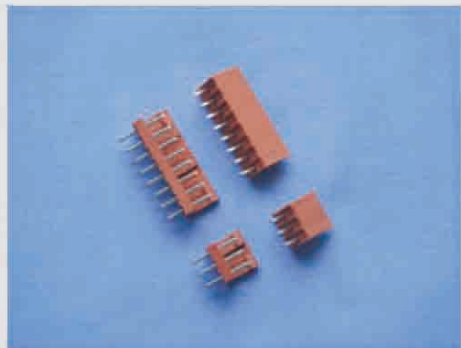


B250015



▶ 主要技术特性 (Main Specifications)

- ▶ 适用导线规格 (Applicable wire) : —
- ▶ 适用基板厚度 (Applicable PC board thickness) : 0.8mm~1.6mm
- ▶ 温度范围 (Temperature range) : -25°C~+85°C
- ▶ 额定电压 (Voltage rating) : 250V AC, DC
- ▶ 额定电流 (Current rating) : 2A AC, DC
- ▶ 接触电阻 (Contact resistance) : $\leq 0.02\Omega$
- ▶ 绝缘电阻 (Insulation resistance) : $\geq 1000M\Omega$
- ▶ 耐压 (Withstanding voltage) : 1000V AC/minute

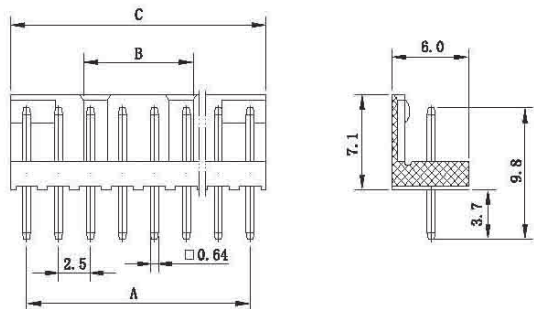
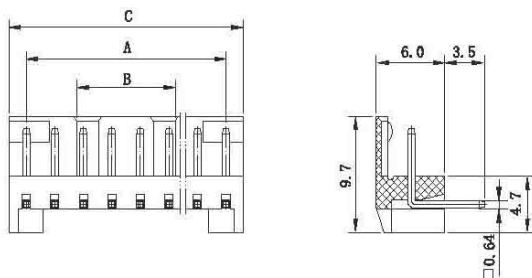
材料及电镀规格 Material and Finish

型号 Type	材料 Material	材料厚度 Material Thickness	电镀规格 Finish
插座 WAFER	塑胶 HOUSING	PA66 UL94V-0	N/A
	针PIN	黄铜 Brass	镀锡 Tin-plated

产品尺寸图 Product size chart

 单位: mm 一般公差: ± 0.20

WAFER

B250015-1 **366-921**

B250015-1W **366-922**


WAFER

极数 Circuits	型号 Type	尺寸(Dimensions)mm			备注型号 P. S. Type
		A	B	C	
2	B250015-1-02	2.5	1.6	5.0	366-921-A
3	B250015-1-03	5.0	2.1	7.5	366-921-B
4	B250015-1-04	7.5	2.6	10.0	366-921-C
5	B250015-1-05	10.0	3.1	12.5	366-921-D
6	B250015-1-06	12.5	3.6	15.0	366-921-E
7	B250015-1-07	15.0	6.1	17.5	366-921-F
8	B250015-1-08	17.5	8.6	20.0	366-921-G
9	B250015-1-09	20.0	11.1	22.5	366-921-H
10	B250015-1-10	22.5	13.6	25.0	366-921-I
11	B250015-1-11	25.0	16.1	27.5	366-921-J
12	B250015-1-12	27.5	18.6	30.0	366-921-K
13	B250015-1-13	30.0	33.0	32.5	366-921-L
14	B250015-1-14	32.5	35.5	35.0	366-921-M
15	B250015-1-15	35.0	38.0	37.5	366-921-N

极数 Circuits	型号 Type	尺寸(Dimensions)mm			备注型号 P. S. Type
		A	B	C	
2	B250015-1W-02	2.5	1.6	5.5	366-922-A
3	B250015-1W-03	5.0	2.1	8.0	366-922-B
4	B250015-1W-04	7.5	2.6	10.5	366-922-C
5	B250015-1W-05	10.0	3.1	13.0	366-922-D
6	B250015-1W-06	12.5	3.6	15.5	366-922-E
7	B250015-1W-07	15.0	6.1	18.0	366-922-F
8	B250015-1W-08	17.5	8.6	20.5	366-922-G
9	B250015-1W-09	20.0	11.1	23.0	366-922-H
10	B250015-1W-10	22.5	13.6	25.5	366-922-I
11	B250015-1W-11	25.0	16.1	28.0	366-922-J
12	B250015-1W-12	27.5	18.6	30.5	366-922-K
13	B250015-1W-13	30.0	33.0	33.0	366-922-L
14	B250015-1W-14	32.5	35.5	35.5	366-922-M
15	B250015-1W-15	35.0	38.0	38.0	366-922-N